

*Frigidaire*

Factory Parts Catalog

Product No.	FFU14F5HWC
Series	EZ-set
Color	white
Volts	115V
Wiring Diagram	297246001
Owner's Guide	297281400
Market	North America
Energy Guide	216795317



Electrolux Major Appliances  
North & Latin America  
P.O. BOX 212378  
AUGUSTA, GA 30917

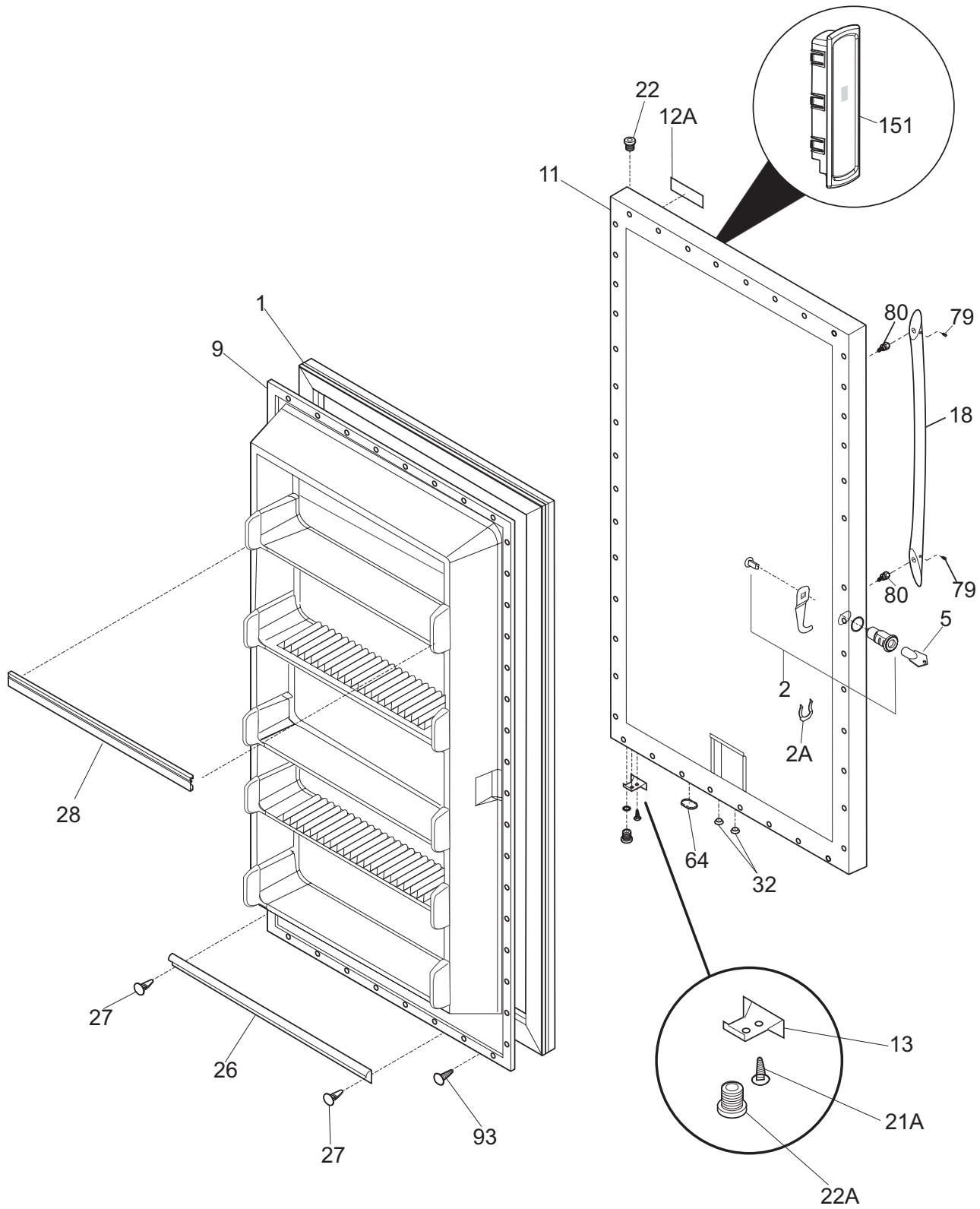
Publication No.  
**5995540720**  
09/05/19  
(EN/SERVICE/MLR)  
365

**UPRIGHT FREEZER**

Model No.  
**FFU14F5HW**

Copyright © 2009 Electrolux Home Products, Inc.  
All rights reserved.

DOOR



P08D0561

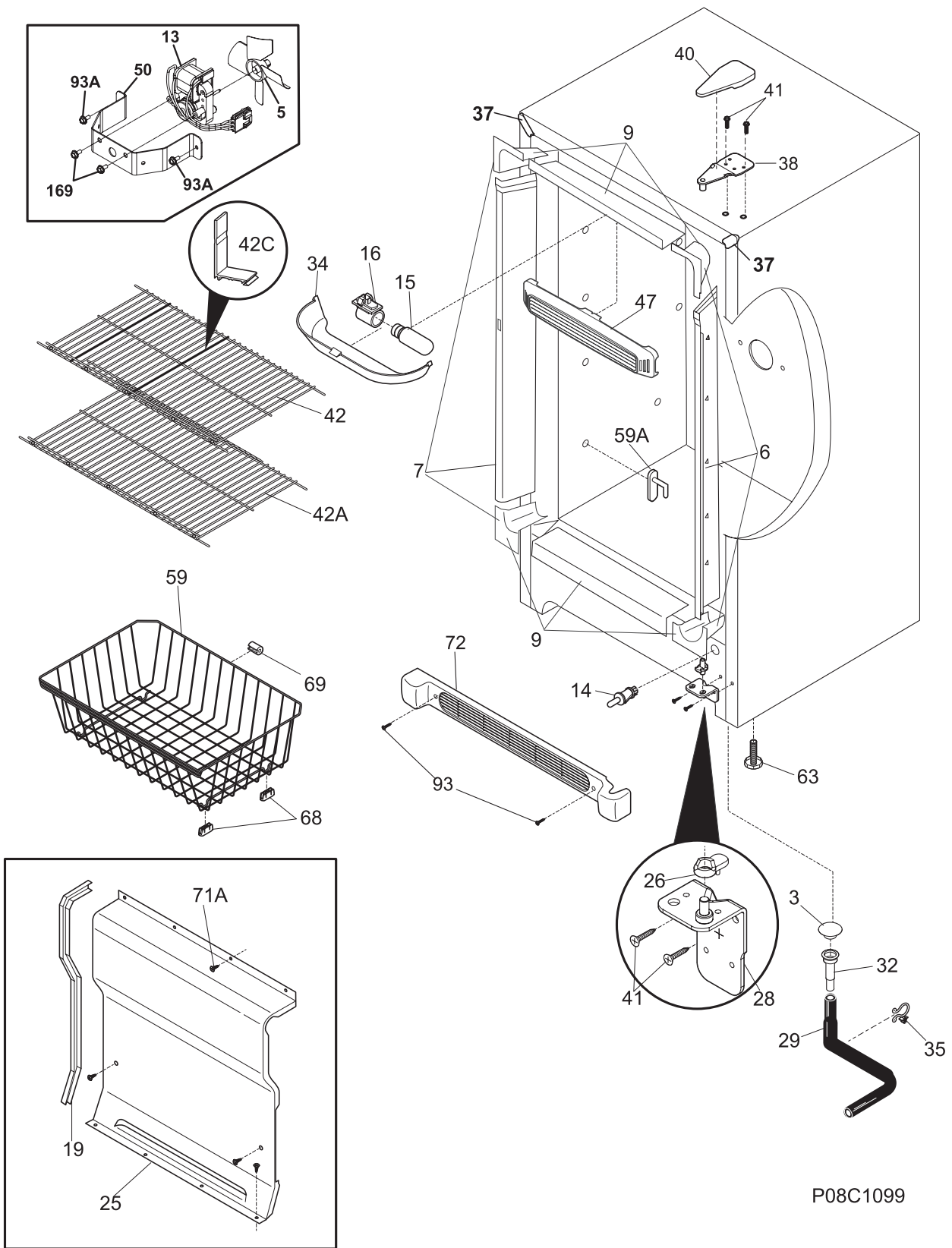
---

**DOOR**


---

POS. NO	PART NO.	DESCRIPTION
1	216522306	Gasket, door seal, white
2 #	297213400	Lock Assy
2A	297213300	Clip, spring
5	297147700	Key, lock
9	216527615	Panel-inner door, frzr
11	297236003	Panel-outer door, white
12A	241808601	Label-nameplate
13	297257000	Door Stop, chrome, RH/LH
18	297031800	Handle, upright, white, w/set screw
*	240537301	Nut-anchor, door hdl screw
21A	297197500	Screw, door stop mtg, FH38-16X.750, P Twin
22	216970800	Bearing, hinge w/o'ring, top
22A	297006800	Bearing-hinge, btm, w/o'ring
26	216524301	Gasket, secondary
27	5304472186	Clip, panel mtg
27*	5304406520	Clip, panel mtg kit, (40)
28	216951601	Rack-door, (5)
32	5309950074	Valve, breather
64	216403700	Plug-button, hole filler, door base
79	218755404	Screw-set, 10-32 x 1.100
80	218755504	Screw-shoulder, #10 AB, handle mounting
93	5304460605	Screw, ph truss head, 8-18AB x 0.500
151#	297241800	Control-electronic, assy, white, 115V

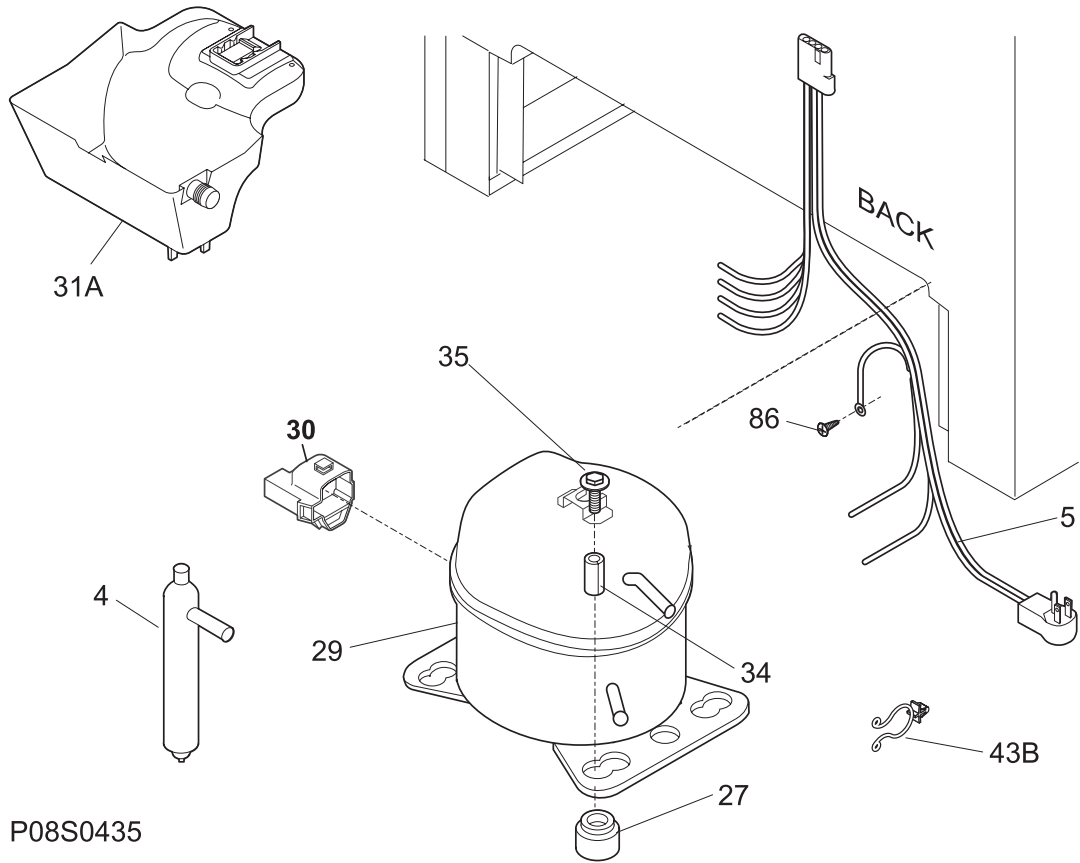
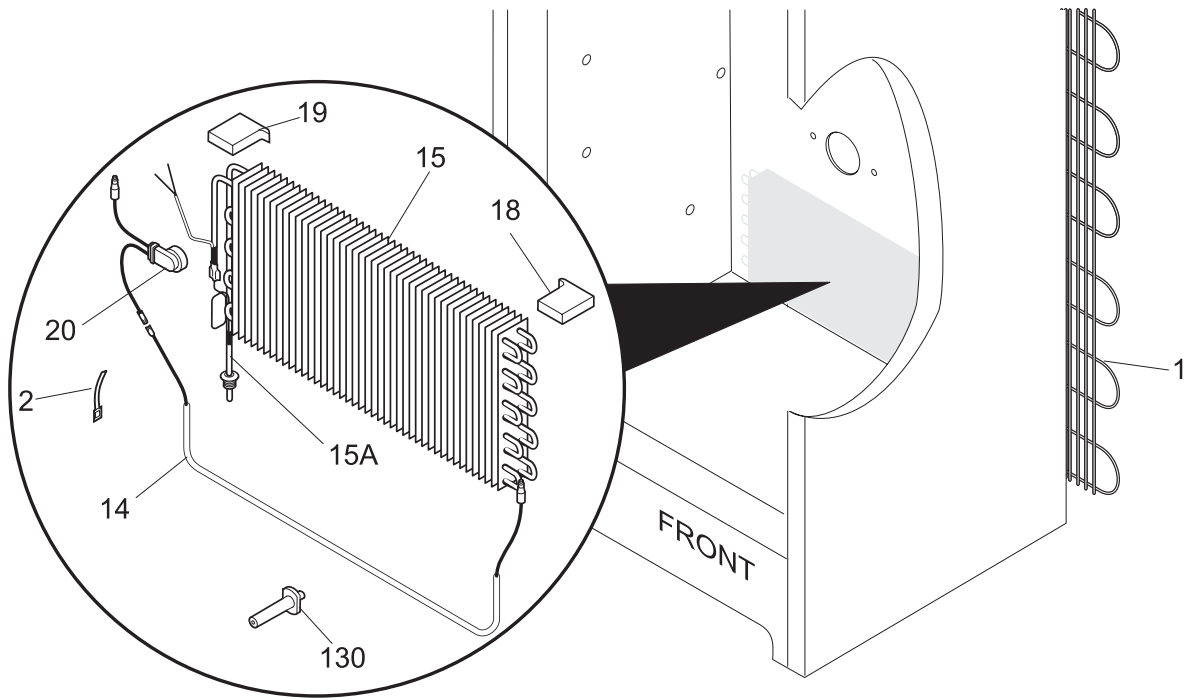
### CABINET



**CABINET**

POS. NO	PART NO.	DESCRIPTION
3	216503100	Screen-drain
5 #	216325600	Fan Blade
6	297200300	Breaker Kit w/corners, no lock slot
7	297200500	Breaker Kit w/corners, incl lock catch
9	297200200	Breaker Kit w/corners, 28", top and bottom
13 #	297250000	Motor, fan, 115 V
14	297243800	Switch, light/lamp, plunger
15	216846400	Light Bulb/Lamp
16	297139500	Socket, light/lamp
19	216204900	Gasket, evap cover
25	297098651	Cover-evaporator
26	216503300	Ramp, door closer
28	297283900	Hinge-bottom, stepped pin
29	216313504	Hose-drain
32	5308005500	Drain
34	297184400	Shield-light
35	216273000	Clip, drain hose
37	241611301	Trim-cabinet corner, white, (2)
38	297283800	Hinge-upper
40	297164400	Cover-hinge
41	297236200	Screw, tamper proof, 1/4-20 x 5/8
42	297119800	Shelf, 16.69 X 23.88, white, (2)
42A	297119901	Shelf, 14.50 X 23.88, white
*	216502400	Grommet-shelf mtg
42C	297183702	Divider, blue, wire shelf
47	297192900	Baffle, air
50	216394050	Bracket, fan motor mount
59	297308700	Basket, bottom
59A	216486500	Stop-basket, (2)
63	216396900	Screw, leveling foot, plastic, adjustable
68	08009560	Glide-basket
69	5305878546	Bumper-basket
71A	297146800	Screw, 8-18AB x 0.470
72	297199000	Grille/Kickplate, 28", white
93	5304460605	Screw, ph truss head, 8-18AB x 0.500
93A	297174300	Screw, #8, 18x.63, self pierce
*	216327800	Clip, wire
169	216912401	Screw, hex washer head, 8-32 x 0.500, bracket fan mtr, (2)
*	216795317	Energy Guide
*	297001704	Insulation, 24", drain tube
*	297241400	Label, EZ start guide
*	5303305324	Paint, touch-up, white

**SYSTEM**



P08S0435

---

**SYSTEM**


---

POS. NO	PART NO.	DESCRIPTION
1 #	5300123788	Condenser
2	5308000110	Strap-evap/heater, aluminum, (2)
4	216987500	Drier-filter
5 #	297237601	Harness-main
5*	240555002	Screw-#8-32 X 3/8
14	297216200	Heater-defrost
15 #	216997200	Evaporator
15A	216565700	Heat Exchanger
18	297078701	Insulator-evap, styrofoam, RH
19	297078801	Insulator-evap, styrofoam, LH
20	297216600	Thermostat, defrost
27	5308002681	Grommet, compressor
29 #	297054400	Compressor, assy, w/electricals
30 #	297054500	Relay Combo
31A	216948700	Pan-drain
34	5306594529	Sleeve-compressor
35	5304460607	Screw, lnd hex sems, 1/4-28 unfx, compressor
43B	297048400	Clip
86	216036601	Screw, RWHD, 8-32A x 0.500, GX-CA
130	297244700	Support, evaporator mtg
*	216502500	Sleeve, suction line
*	297014500	Plug-suction line
*	297018400	Thermistor
*	297174300	Screw, #8, 18x.63, self pierce
*#	297169904	Cord-power